



Wind Direction Sensor

OVERVIEW

The MBMet 110 series offer wind direction indicators that provides visual indication of wind direction. It installs in minutes and provides accurate, long-term, continuous monitoring even in harsh conditions. Digital circuits are capable of strong RFI and EMI resistance and the automatic temperature compensation is built in. The sensor construction reflects high reliability and durability providing minimal maintenance. The MBMet 110 series material design offers superb dirt and weather resistance for long-term measurement stability in dirty and cloudy environments.

BENEFITS AND FEATURES

- ▶ Low starting threshold
- ▶ Strong corrosion resistant ability
- ▶ Various Output signal options
- ▶ Double bearing design
- ▶ Long-term stability in dirt and dusty environment
- ▶ Easy Installation

APPLICATIONS

- ▶ Weather Station
- ▶ Smart Cities
- ▶ Solar and Wind Power Generation Plants
- ▶ Marine Vessels
- ▶ Airports
- ▶ Road Management



Resolution : 22.5°



Resolution : 1°

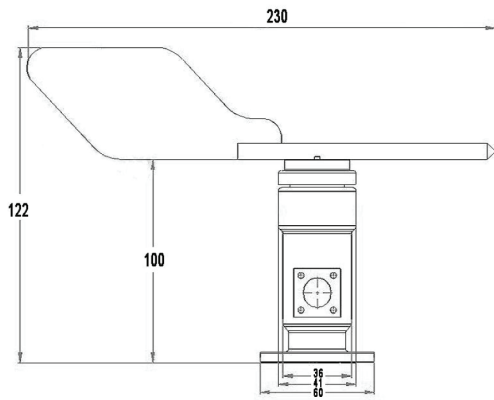
TECHNICAL DESCRIPTION

Model/Parameters	MBMet-110A-A	MBMet-110A-B	MBMet-110B-A	MBMet-110B-B	MBMet-110C-A	MBMet-110C-B	MBMet-110D-A	MBMet-110D-B
Resolution	1°	22.5°	1°	22.5°	1°	22.5°	1°	22.5°
Communication Output	4-20mA		RS-485 Modbus		0-5V		0-10V	
Measuring Range	0 to 360°							
Accuracy	±3°							
Measurement Performance								
Starting Wind Speed	<0.5m/s (1.1 mph)							
Survival Wind Speed	70m/s (156.6 mph)							
Electrical Specification								
Input Voltage	12 to 24VDC							
General Specifications								
Operating Temperature	-30°C to +70°C							
Ingress Protection Rating	IP65							
Storage Condition	10°C to 60°C @ 20% to 90%RH							
Cable Type/Length	UV protected cable/3 meters							
Body Material	Vane : 304 stainless steel Main Body : Aluminum alloy							
Weight (unpacked)	410g							

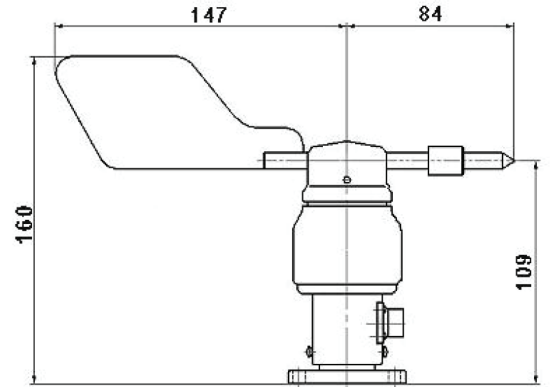
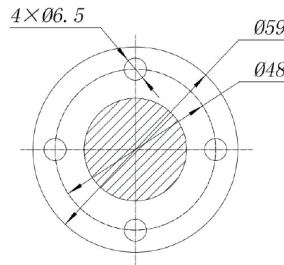


DIMENSIONS & MOUNTING

Flange mounted, fix four screws on the bracket and install the product horizontal.



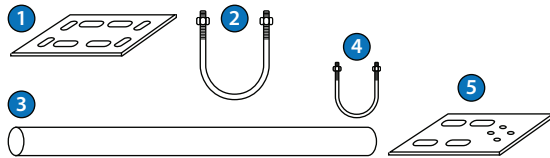
Resolution : 22.5°



Resolution : 1°

Note : There is one red or white marked point on the sensor, it should be pointed towards north direction while installing.

MOUNTING ACCESSORIES



A) Pole Mounting Accessories

- ① 1 nos. (L) 142mm × (W) 120mm arm mounting plate
- ② 2 nos. 50mm U-clamp
- ③ 1 nos. (L) 900mm GI arm
- ④ 4 nos. 31.75mm U-clamp
- ⑤ 1 nos. (L) 125mm × (W) 110mm × (H) 60mm sensor mounting plate

ORDERING STRING

Model	Series	Output	Resolution	Accessories	Cable Length	
MBMet						
	110					
		A				4-20mA
		B				RS-485 Modbus
		C				0 to 5V
		D				0 to 10V
			A			1°
			B			22.5°
				A		With Pole Mounting Accessories
				X		No Accessories
					3000	Units : mm (default)
					Units : mm (on request)

For example : MBMet-110B-AA3000

Parameter : Wind Direction, Output : RS-485 Modbus, Resolution : 1°
with Pole Mounting Accessories, Cable Length : 3 meters

**Specifications are subject to change without notice.

