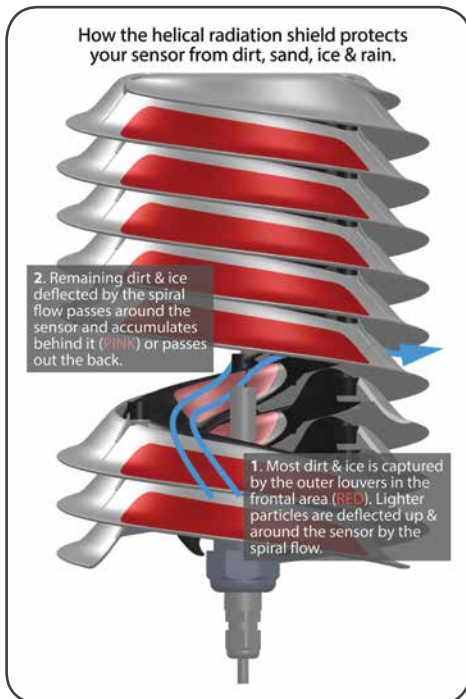


- AGRICULTURE
- HYDROLOGY
- METEOROLOGY
- SHIPS
- AIRPORTS
- INDUSTRIAL & PLC
- OCEANOGRAPHY
- SKI LIFT & SNOW MAKING
- BUOY & MARINE
- INTRINSICALLY SAFE
- ROAD MANAGEMENT
- SMART CITIES
- COASTAL
- IOT
- POLAR AND WINTER
- WEATHER STATIONS

## Temperature & Humidity



### MeteoShield - Standard

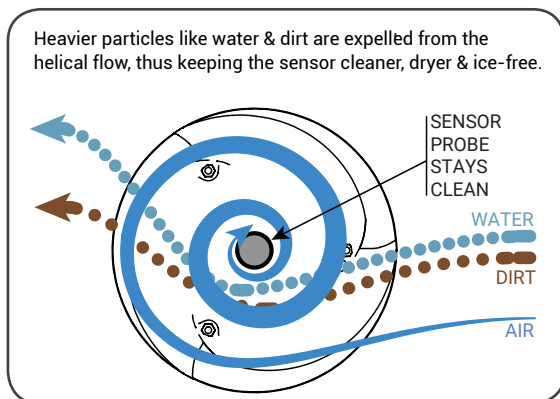
Naturally aspirated helical solar shield/screen. **Helical shape reduces temperature errors** to acceptable levels better than conventional multi-plate shields while offering unsurpassed **protection from the sun, dirt, rain, snow, sand & dust**. Helical shape increases clean air flow and rejects dirt particles away from the sensor, thus increasing maintenance intervals. For double-helix protection, precision & robustness upgrade to **MeteoShield - Professional**.

### Maximum sensor protection at a reduced cost

- Highest sensor protection available while providing accurate measurement
- Fast response due to high ventilation rate without sacrificing sensor protection
- Ultimate protection from water spray, ice, sand and sensor dirt buildup
- Offers the most affordable accurate temperature & humidity measurement
- Exceptional water shedding and return to accuracy after rain
- Measurement stability in high-reflectivity environments: snow, desert, city, water...

### Higher reliability with better long term temperature stability than traditional multi-plate radiation shields

## Keeps your sensors cleaner



Helical MeteoShield



Minimal dirt buildup over one winter season in a road-side weather station.

Competitor Multi-Plate Radiation Shield



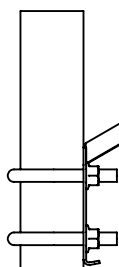
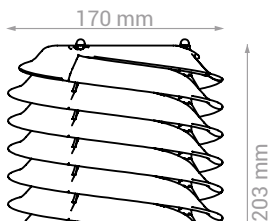
Significant dirt buildup common to all multi-plate solar radiation shields over the same time period.

Ultimate combination of sensor protection and accuracy for cost-sensitive applications. An unbeatable value.

# UPGRADE TO HELICAL RADIATION SHIELDS

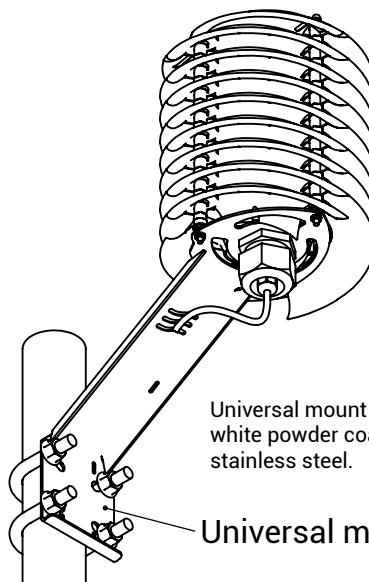
## Bottom mount

Standard height of 8 levels can be extended per request to fit any sensor probe.



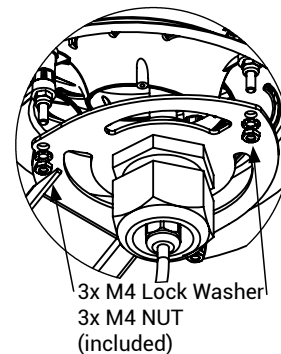
Temperature and Humidity probe RH+T  
OR  
BARANI MeteoTemp

- Temperature
- Humidity
- Dew Point
- Pressure

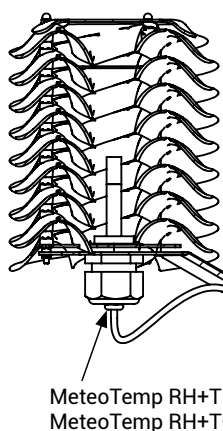


Universal mount from white powder coated stainless steel.

Universal mounting



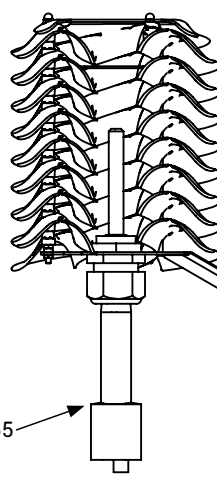
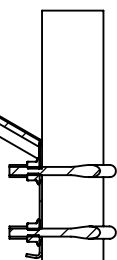
3x M4 Lock Washer  
3x M4 NUT  
(included)



MeteoTemp RH+T  
MeteoTemp RH+T+P

For best value use RS-485 MeteoTemp sensor probe which outputs:

- Temperature
- Humidity
- Dew point
- Frost point
- Barometric Pressure (optional)



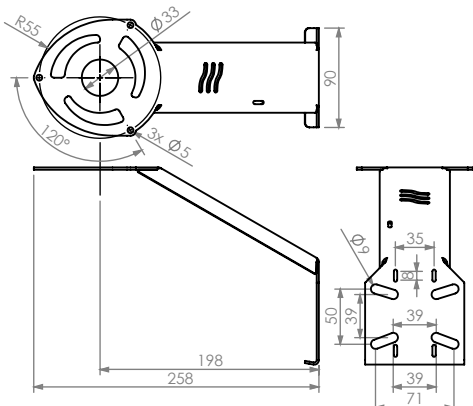
Vaisala HMP-155

Fits up to 1" (26mm) RH+T probes including:

- Vaisala HMP-155
- ROTRONIC MP100, MP400, HC2

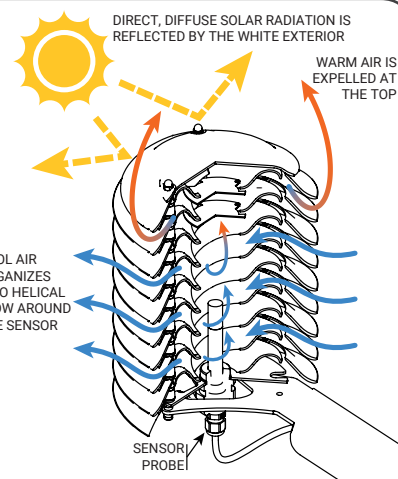
## Universal radiation shield mount

2mm white powder coated stainless steel



## Helical Protection

Helical radiation shield shape ventilates better than multi-plate radiation shields while maintaining better temperature sensor protection from dirt, sand, dust, rain, snow and ice, thus extending sensor life and long-term measurement stability.



Reach your Gold Standard of measurement with BARANI sensors. ISO:9001 quality.

PATENTED / REGISTERED: EUIPO 002979179-0001...0006



Innovative Electronics For You

## M. B. Control & Systems Pvt. Ltd.

### Corporate Office

31/1, Ahiripukur Road, Kolkata 700019, West Bengal, India

Call : +91 98313 30473, 98312 06454 | Fax : +91 033 2287 0445

Email : enquiry@mbcontrol.com, service@mbcontrol.com (for service related queries)

Website : www.mbcontrol.com

